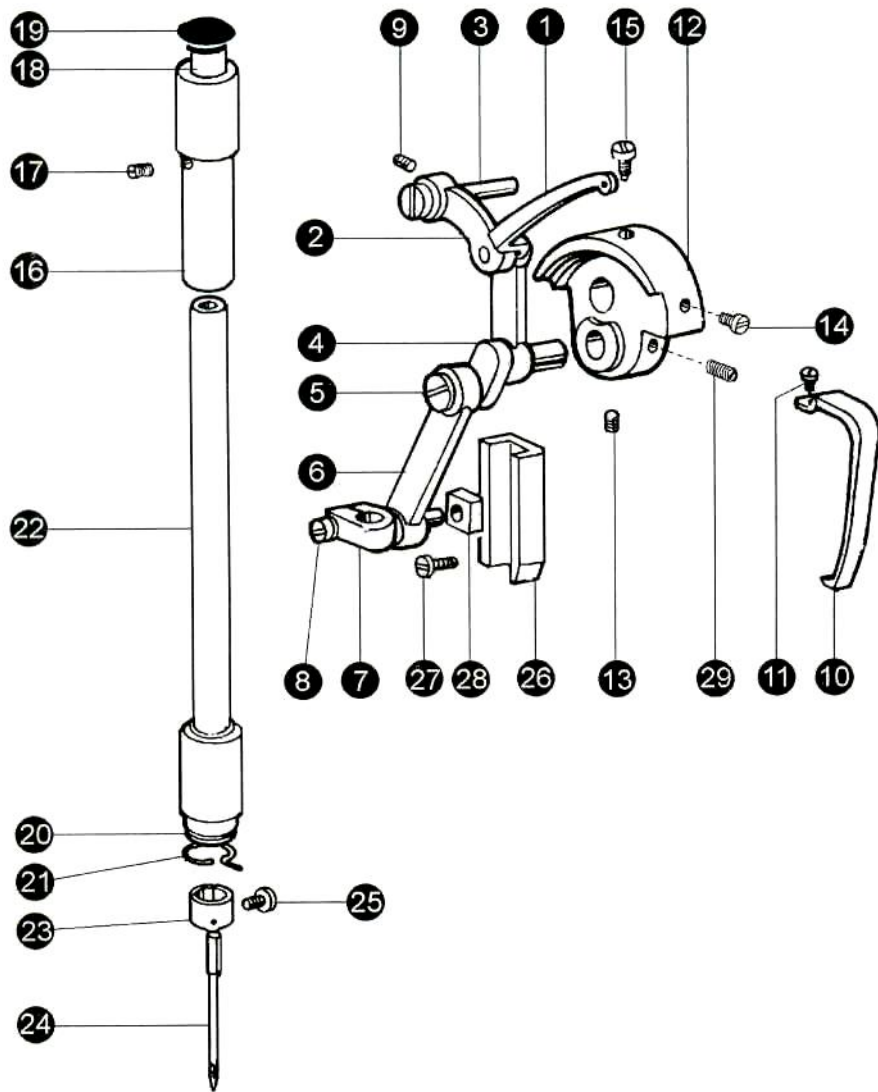


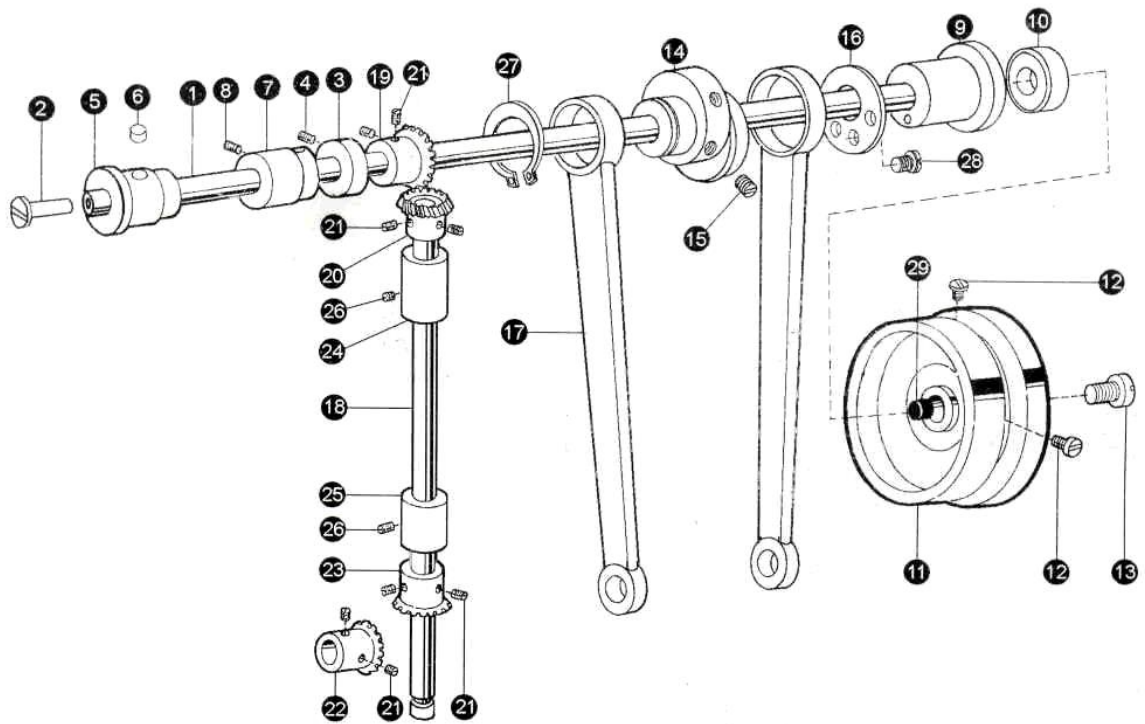
1. ARM BED AND ITS ACCESSORIES

No.	Ref. No.	Description	Qt.		
			M	H	B
1	124T1 -002B1	Face plate	1	1	1
2	124T1 -002B2	Gasket for Face plate	1	1	1
3	22T1 -003C3	Rubber plate	1	1	2
4	22T1 -003C4	Rubber plate	4	4	4
5	22T1 -003C5	Thread guide on face plate	1	1	
	78T1 -004C1	Thread guide on face plate			1
6	22T1 -003C6	Thread guide screw	1	1	1
7	22T1 -004	Face plate screw	3	3	3
8	22T1 -005D1	Back plate	1	1	1
9	22T1 -005D2	Gasket for rack plate	1	1	1
10	22T1 -006	Set screw	8	8	8
11	22T1 -007	Washer	8	8	8
12	22T1 -008H	Oid check window	1	1	1
13	22T1 -010	Three hole thread guide	1	1	1
14	124T1 -006	Set screw	1	1	1
15	22T1 -009E1	screw	1	1	1
16	22T1 -009E2	Spring for pre -tension	1	1	1
17	22T1 -009E3	Discs for pre -tension	2	2	2
18	22T1 -009E4	Washer	1	1	1
19	GB896-76	Spring washer	1	1	1
20	22T1 -009E5	Thread guide for pre -tension	1	1	1
21	124T1 -003C1	Knub for thread tension regulator	1	1	1
22	22T1 -012F10	Thumb nut revdution stoper	1	1	1
23	22T1 -012F1	Thread tension stud	1	1	1
24	124T1 -003C2	Thread tension spring	1		
	48T1 -003A1	Thread tension spring		1	1
25	22T1 - 012F4	Thread tension releasing disc	1	1	1
26	22T1 -012F5	Thread tension disc	2	2	2
27	22T1 -012F6	Thread take - up spring	1		
	48T1 -003A2	Thread take -up spring		1	1
28	22T1 -012F11	Rubber ring	1	1	1
29	22T1 -012F7	Thread tension regulating bushing	1	1	1
30	22T1 -012F8	Set screw	1	1	1
31	22T1 -012F9	thread tension releasing pin	1	1	1
32	22T1 -013	Set screw	1	1	1
33	22T1 -014	Thread guide for arm center	1	1	
	78T1 -005	Thread guide for arm center			1
34	22T1 -003C6	Set screw	1	1	1
35	22T1 -015	Rubber plug	2	2	2
36	22T1 -016	Rubber plug	1	1	1
37	124T1 -005	Needle plate	1		
	48T1 -004	Needle plate		1	1
38	22T1 -020	Needle plate screw	2	2	2
39	22T1 -021G1	Slide plate	1	1	1
40	22T1 -021G2	Spring for slide plate	1	1	1
41	22T1 -021G3	Screw	2	2	
42	48T1 -005	Leg	3	3	3
43	GB93-76	Washer	2	2	2
44	57T1 -008	Ruler plate	1	1	1
45	124T1 -004	Ruler screw	2	2	2
46	22T1 -017	Red rubber plug	1	1	1
47	22T1 -006	Screw	2	2	2
48	22T8-009	Screw	2	2	2



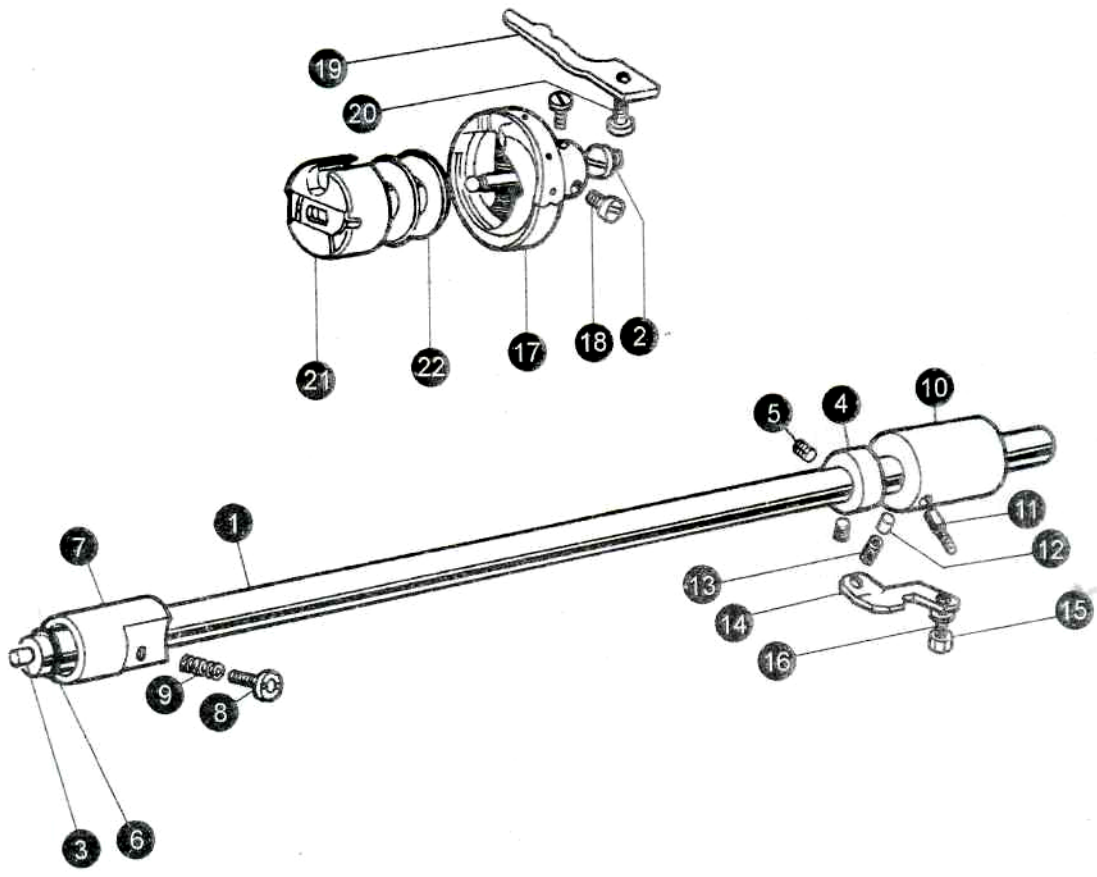
2. NEEDLE BAR AND THREAD TAKE -UP MECHANISM

No.	Ref. No.	Description	Qt.		
			M	H	B
1	124T2-001A1a	Thread take -up lever	1		
	48T2 -001A1a	Thread take -up lever		1	
	78T2-001A1a	Thread take -up lever			1
2	22T2-001A2	Thread take - up link	1	1	1
3	124T2 - 001	Thread take -up lever hinge pin	1	1	1
4	124T2-001A3	Thread take - up crank	1	1	1
	22T2-001A5	Needle roller bearing	2		2
5	22T2-001A6	Set screw (left hand thread.)	2	2	1
6	22T2-001A7b	Needle bar link ass	1		
	48T2-001A2	Needle bar link ass		1	1
7	22T2-001A8	Needle bar connecting bar joint	1	1	1
8	22T2-001A9	Screw	1	1	1
9	22T2 -002	Screw	1	1	1
10	36T2-007	Take -up lever guard	1	1	
	78T2-002	Take -up lever guard			1
11	22T2-004	Screw			
12	124T2-002B1	Needle bar crank	1	1	
	48T2-002B1	Needle bar crank			1
13	22T2 -005B2	Screw	1		1
	22T2 -006	Screw	1	1	1
15	22T2-007	Thread take - up crank position screw	1	1	1
16	22T2 -008	Needle bar bushing (upper)	1	1	1
17	22T2-009	Set screw	1	1	1
18	22T2-010	Felt plug	1		1
19	22T2-011	Red rubber plug(Ø8.8)	1	1	1
20	22T2-012C1	Needle bar bushing (lower)	1		
	124T2-006	Needle bar bushing (lower)		1	1
21	22T2 -012C2	Thread guide for needle bar bushing	1	1	1
22	22T2-014	Needle bar	1		
	78T2 -004	Needle bar		1	1
23	22T2-015	Thread guide for needle bar	1		
	48T2 -004	Thread guide for needle bar		1	1
24		Needle (DB x1)14#	1		
		Needle(DPx5)18#		1	
		Needle(D8 x1)22#			1
25	22T2-017	Needle clamp screw	1	1	1
26	22T2-018	Needle bar connecting link guide	1	1	1
27	22T2-019	Set screw	2	2	2
28	22T2 -020	Slide block	1	1	1
29	22T2-005B3	Thread take - up crank position screw	1	1	1



### 3. ARM SHAFT AND VERTICAL SHAFT MECHANISM

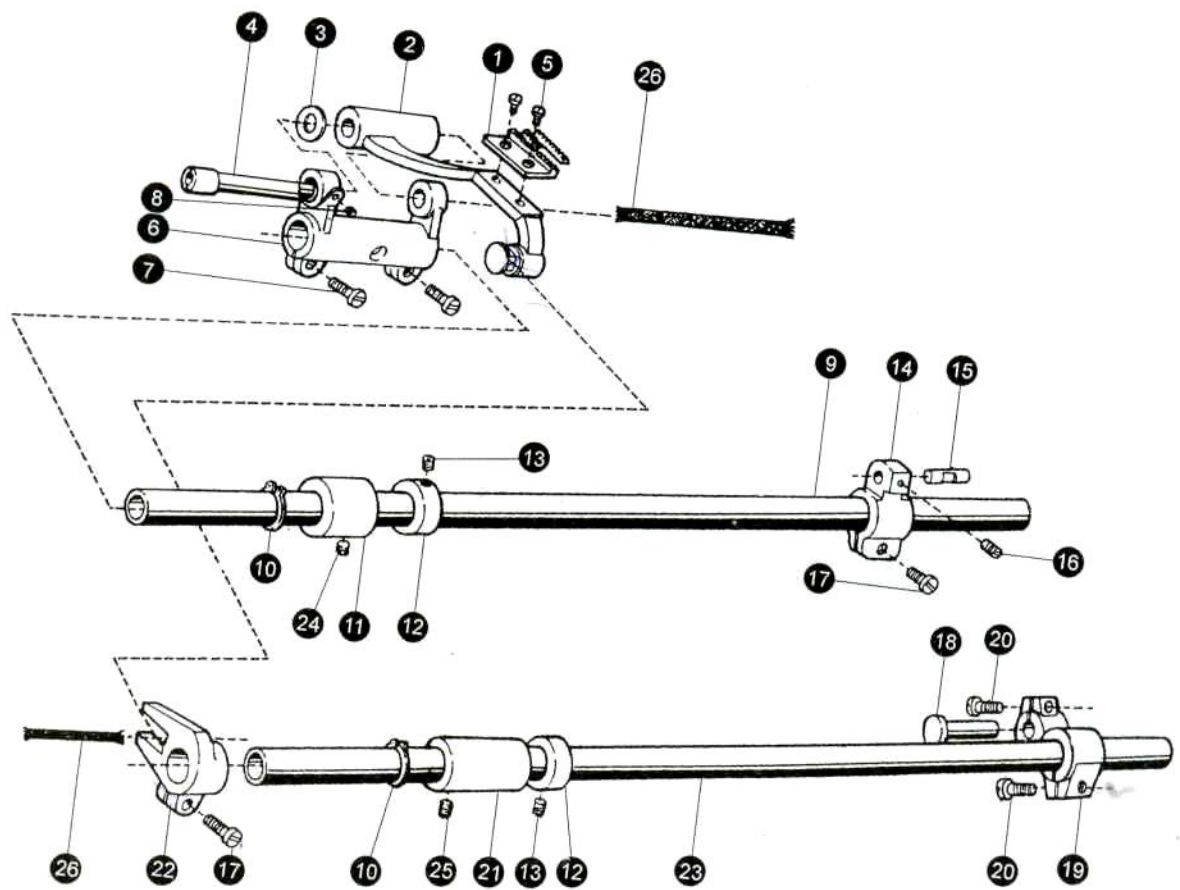
No.	Ref. No.	Description	Qt.		
			M	H	B
1	124T3-001A1	Arm shaft	1	1	1
2	124T3-001A2	Adjusting screw	1	1	1
3	22T3-002B1	Collar for arm shaft	1	1	1
4	22T3 -002B2	Set screw	2	2	2
5	124T3 -002B1	Arm shaft bushing (left)	1	1	1
6	124T3-002B2	Oil felt	1	1	1
7	22T3-004	Arm shaft bushing (middle)	1	1	1
8	22T2 -002	Set screw	1	1	1
9	124T3-003C1	Arm shaft bushing (right)	1	1	1
10	124T3-003C2	Oil seal	1	1	1
11	22T3-007C1	Balance wheel	1	1	1
12	22T3-007C2	Set screw	2	2	2
13	22T3-008	Set screw	1	1	1
14	36T3 - 003	Eccentric wheel	1		
	114T3-001	Eccentric wheel		1	1
15	22T1 -013	Eccentric wheel screw	2	2	2
16	36T3-004	Spacer	1	1	1
17	22T3-009D1c	Crank rod for lifting rock shaft	1	1	1
18	22T3-010E1	Vertical shaft	1	1	1
19	22T3-010E2a1 -2	Bevel gear for arm shaft	1	1	1
20	22T3-010E2a2-2	Bevel gear for vertical shaft (upper)	1	1	1
21	22T2-005B3	Set screw	8	8	8
22	22T3-010E2b1 -2	Bevel gear for hook shaft	1	1	1
23	22T3-010E2b2-2	Bevel gear for Vertical shaft (lower)	1	1	1
24	22T3-011	Vertical shaft bushing (upper)	1	1	1
25	2213-012	Vertical shaft bushing (lower)	1	1	
	78T3-002	Vertical shaft bushing (lower)			1
26	22T2 -002	Set screw	2	2	2
27	36T3-004	Spacer	1	1	1
28	100T6-012	Screw	3	3	3
29	22T3-001A2	Arm shaft rubber plug	1	1	1



4. ROTATING HOOK MECHANISM

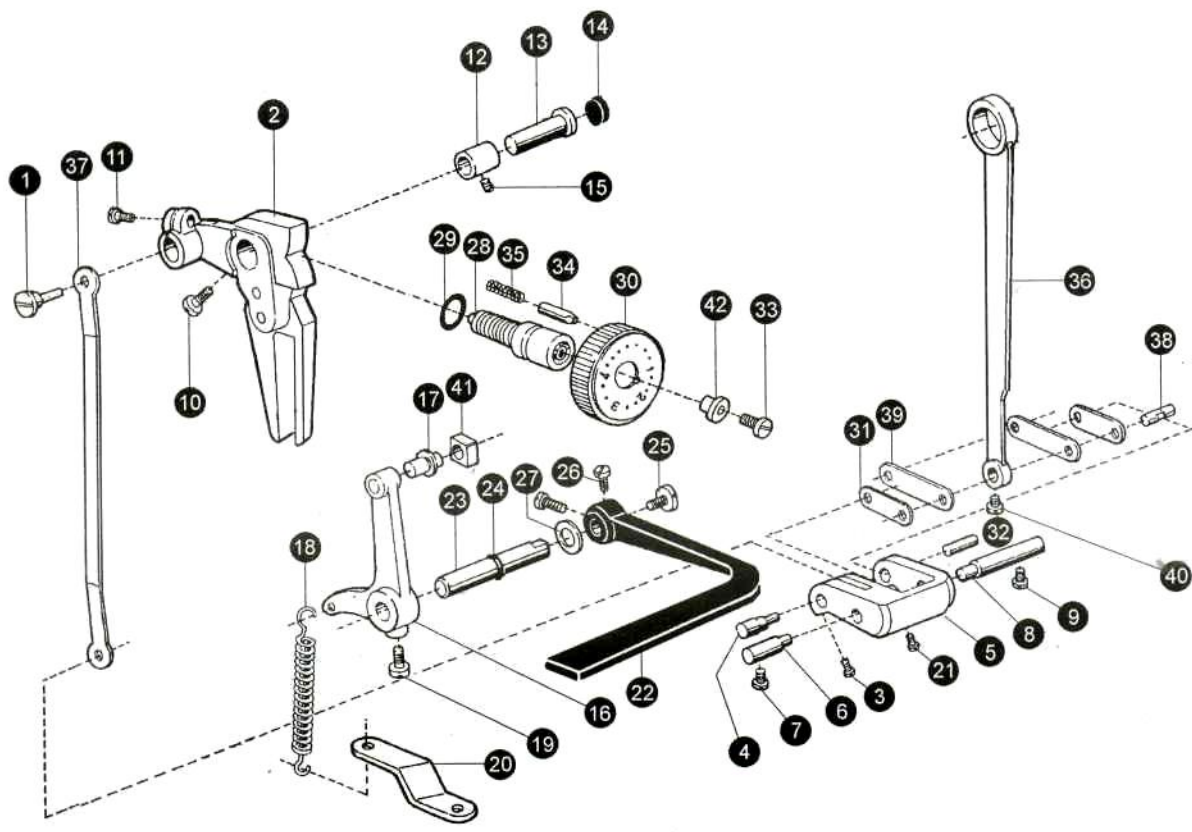
No.	Ref. No.	Description	Qt.		
			M	H	B
1	36T4-008D1	Hook shaft	1	1	
	120T4-001	Rotating hook shaft			1
2	22T4-001A1a1	Filter screw	1	1	1
3	22T4-001A1a2	Filter	1	1	1
4	22T4-002B1	Collaer for hook shaft	1	1	1
5	22T2 -009	Set screw	2	2	2
6	22T4-003G	Oil seal for rotating	1	1	1
7	22T4-004	Hook shaft bushing (left)	1	1	1
8	22T4-005	Oil adjusting screw	1	1	1
9	22T4-006	Spring for oil adjuster	1	1	1
10	36T4-014F1	Hook shaft bushing(right)	1	1	1
11	22T4-007C2	Oil pipe for hook shaft bushing	1	1	1
12	36T4-015	Plunger	1	1	1
13	36T4-016	Plunger spring	1	1	1
14	22T4-010	Guide plate	1	1	
	78T4-006	Guide plate			1
15	22T8-009	Screw	1	1	1
16	GB93-76	Spring washer	1	1	1
17	22T4-011D	Rotating hook	1		
	48T4-001A	Rotating hook		1	
	78T4-002	Rotating hook			1
18		Screw	2	2	2
19	22T4-013	Rotating hook positioner	1		
	48T4-002	Rotating hook positioner		1	
	78T4-003	Rotating hook positioner			1
20	22T4-015	Screw	1	1	1
21	22T4-016F	Bobbin case	1	1	
	78T4-004F	Bobbin case			1
22	22T4-017	Bobbin	1		
	48T4 - 003	Bobbin		1	
	78T4-005	Bobbin			1





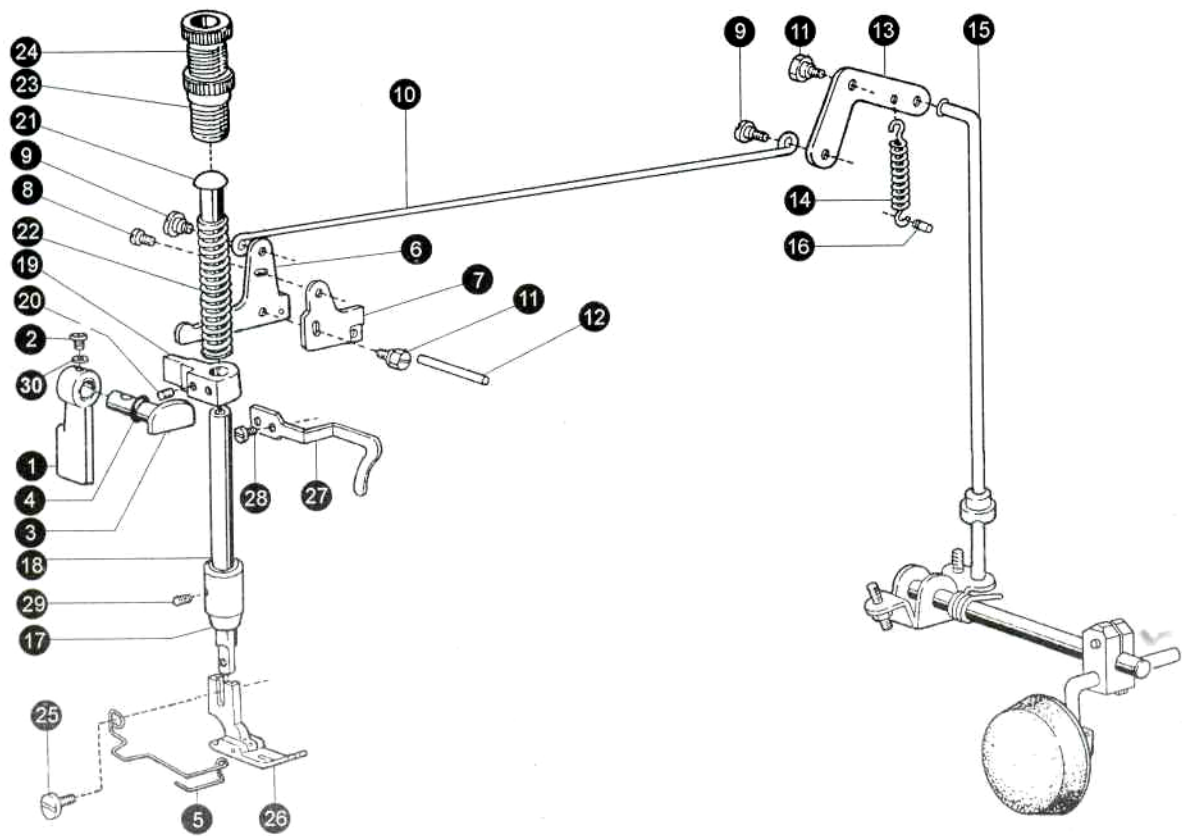
5. FEEDING AND FEED LIFTING MECHANISM

No.	Ref. No.	Description	Qt.		
			M	H	B
1	22T6-001A3	Feed dog	1		
	48T6-001A2	Feed dog		1	1
2	36T4-001A1a	Feed bar	1	1	1
3	22T6-001A6	Washer	1	1	1
4	36T4-001A2	Feed bracket shaft	1	1	1
5	22T6-001A4	Screw	2	2	2
6	22T6-001A1a	Feed rock bracket arm	1		
	48T6-001A1a1	Feed rock bracket arm		1	1
7	22T6-001A1b	Screw	2	2	2
8	22T2-019	Screw	1	1	1
9	124T6-002	Feed rock shaft	1	1	1
10	GB894-76	C -type stop ring	2	2	2
11	124T6-001	Feed rock shaft bushing	1	1	1
12	22T6-005B1	Collar	2	2	2
13	22T3-002B2	Set screw	4	4	4
14	36T4-003	Feed rock shaft crank(right)	1		
	114T4-001	Feed rock shaft crank (right)		1	1
15	36T4-004H01	Feed link stod	1	1	1
16	36T5 - 008E5	Set screw	1	1	1
17	22T6-008D3	Screw	2	2	2
18	22T6-007	Hinge	1	1	1
19	36T4-017	Feed lifting rock shaft crank(right)	1	1	1
20	J0. 0.71	Screw	2	2	2
21	22T6-012	Bushing for feed lifting rock shaft	1	1	1
22	36T4-018H1D1	Feed lifting shaft crank	1	1	1
23	124T6 - 003	Feed lifting rock shaft	1	1	1
24	22T2-009	Set screw	1	1	1
25	22T2-002	Set screw	1	1	1
26	36T4-001A3	Wick	2	2	2



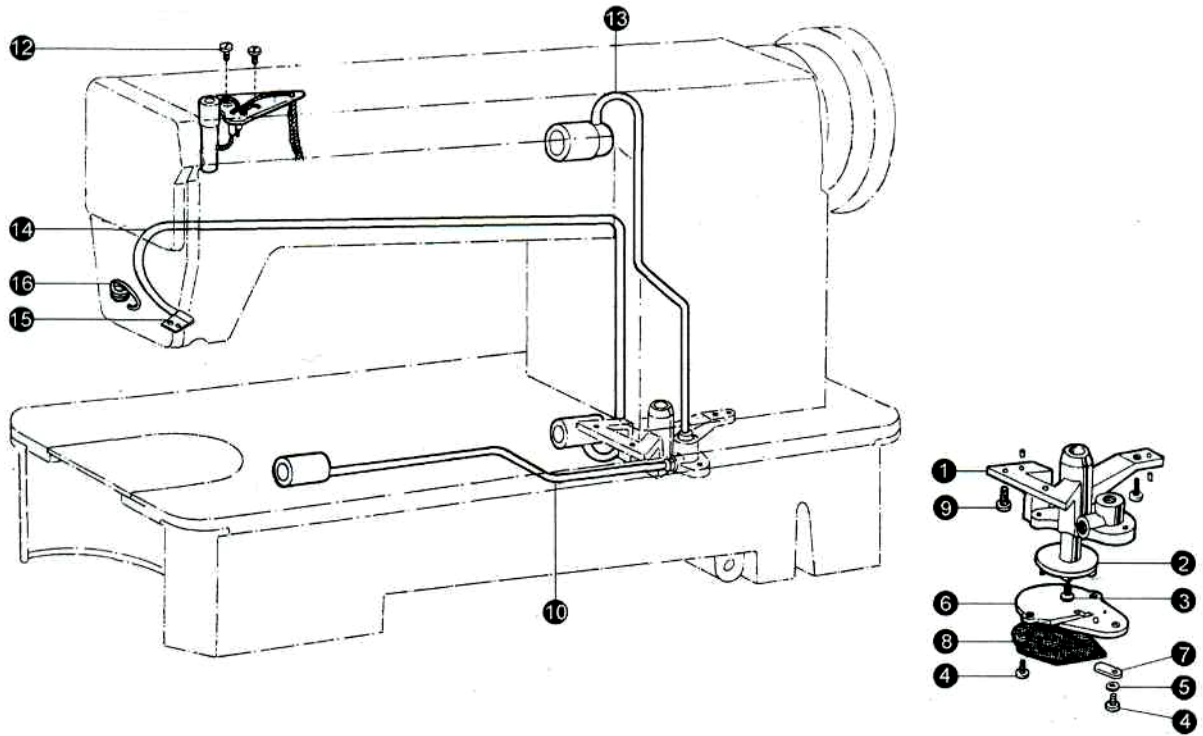
6. STITCH LENGTH REGULATING MECHANISM

No.	Ref. No.	Description	Qt.		
			M	H	B
1	36T5-001	Connecting stud	1	1	1
2	57T5-001	Feed regulator	1		
	124T5-003	Feed regulator		1	1
3	36T5-008E8	Screw	1	1	1
4	36T5-008E9	Lever link eccentric shaft	1	1	1
5	36T5-008E10	Lever regulator	1	1	1
6	36T5-009H02	Pin (left)	1	1	1
7	22T6-008D3	Screw	1	1	1
8	36T5-009H01	Pin (right)	1	1	1
9	22T6-008D3	Screw	1	1	1
10	22T5-010D4	Screw of feed regulator	1	1	1
11	22T2-019	Screw	1	1	1
12	22T5-003	Feed regulator bushing	1	1	1
13	22T5-004	Feed regulator shaft	1	1	1
14	36T5-003	Rubber plug ( $\varnothing 20$ )	1	1	1
15	22T2 -002	Set screw	1	1	1
16	22T5-012E1	Back tacking crank	1	1	1
17	22T5-012E1a1	Slide block pin	1	1	1
18	57T5-004B1	Lever spring	1	1	1
19	22T5-013	Set screw	1	1	1
20	57T5-005	Bracket for spring	1	1	1
21	36T5-008E7	Screw	1	1	1
22	22T5-010D1	Back tacking lever	1	1	1
23	36T5-006C1a1	Back tacking lever shaft	1	1	1
24	GB1235-76	O -ring	1	1	1
25	22T5-010D3	Screw	1	1	1
26	22T5-010D4	Screw	2	2	2
27	22T5-011	O -ring	1	1	1
28	124T5-001A2	Feed regulator screw	1	1	1
29	124T5-001A3	O -ring for feed regulating screw	1	1	1
30	124T5-001A1 -1	Knob	1		
	124T5-001A5	Knob		1	1
31	36T5-008E4H01	Feed rock link	1	1	1
32	36T5-008E6	Pin	1	1	1
33	36T5-007D5	Screw	1	1	1
34	22T5-008	Stopper pin	1	1	1
35	22T5-009	Spring for stopper pin	1	1	1
36	36T5 -008E2	Lever feed connecting rod	1	1	1
37	36T5-008E3	Feed regulator link	1	1	1
38	36T4-004H02	Sink shaft	1	1	1
39	36T5-008E4H02	Feed rock arm link	2		
	114T5-003	Feed rock arm link		2	2
40	36T5-008E5	Screw	1	1	1
41	22T5 -012E1a2	Crank slide block	1	1	1
42	36T5 -007D4	Bushing	1	1	1



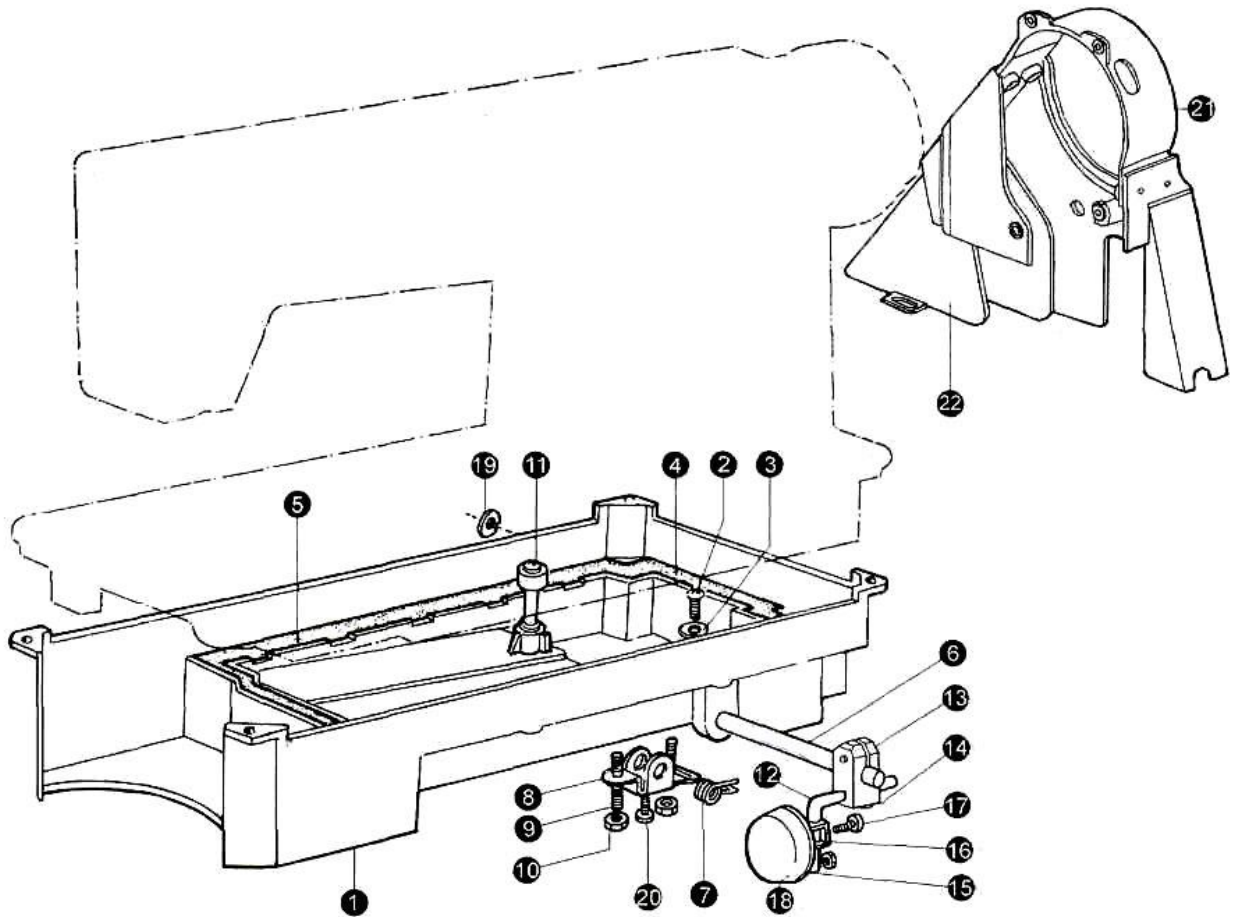
7. PRESSER FOOT MECHANISM

No.	Ref. No.	Description	Qt.		
			M	H	B
1	22T7-001A1	Presser bar lifter	1	1	1
2	22T1 -006	Set screw	1	1	1
3	22T7 -002	Presser bar lifter	1	1	1
4	GB1235-76	Oil seal for presser bar	1	1	1
5	57T7-002	Presser foot spring	1	1	1
6	22T7-004B1a	Knee lifter lever (left)	1	1	1
7	22T7-004B1b	Tension releasing cam	1	1	1
8	22T7-004B1C	Screw	1	1	1
9	22T7 -004B2	Hinge screw	2	2	2
10	22T7-004B3	Knee lifter rod	1	1	1
11	22T7-005	Bolt for tension releasing cam	1	1	1
	22T7-005	Screw	1	1	1
12	22T7-006	Tension releasing pin	1	1	1
13	22T7-007C1	Knee lift lever (right)	1	1	1
14	22T7-007C2	Spring for knee lifter lever(right)	1	1	1
15	22T7-007C3	Knee lifter connecting rod	1	1	1
16	22T7-008	Pin for spring	1	1	1
17	22T7-009	Presser bar bushing	1	1	1
18	22T7-010	Presser bar	1	1	1
19	22T7 -011D1	Presser bar lifting bracket	1	1	1
20	22T1 -013	Set screw	1	1	1
21	22T7-012	Presser bar guide	1	1	1
22	22T7-013	Presser spring	1		
	48T7-002	Presser spring		1	1
23	22T7-014E1	presser regulating thumb screw	1	1	1
24	22T7 -014E2	Lock nut	1	1	1
25	22T7-015	Set screw	1	1	1
26	22T7 -017F	Presser foot complete	1		
	48T7 -003A	Presser foot complete		1	1
27	36T6-009	Slack thread regulator	1	1	1
28	22T2-004	Screw	1	1	1
29	22T2-013	Set screw	1	1	1
30	22T1 -007	Washer	1	1	1



### 8. LUBRICATION MECHANISM

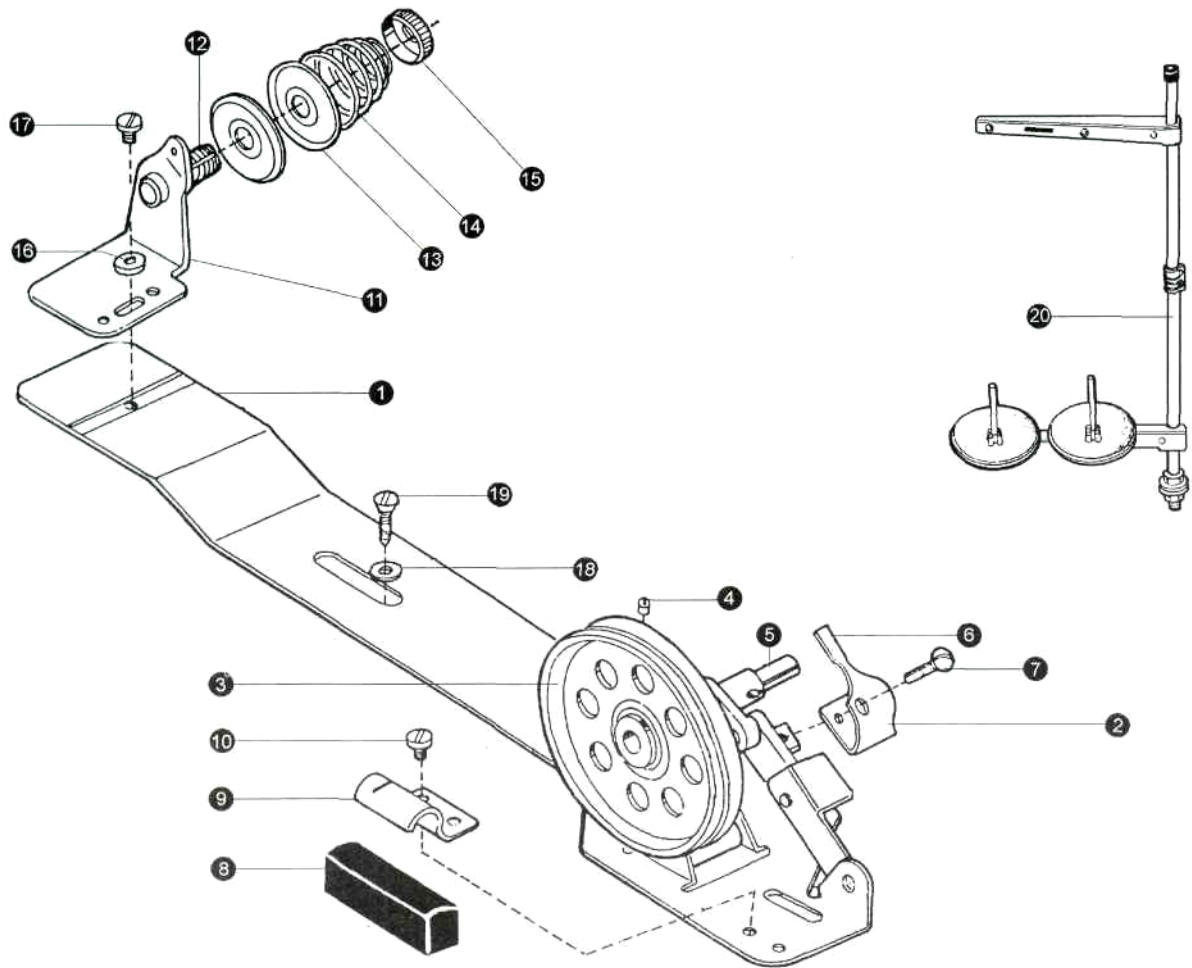
No.	Ref. No.	Description	Qt.		
			M	H	B
1	22T8-001	Oil pump body	1	1	1
2	22T8-002	Oil pump impeller	1	1	1
3	22T8-003	Screw	1	1	1
4	22T8-004	Screw	3	3	3
5	22T8-005	Spring washer	1	1	1
6	22T8 - 006	Oil pump flitting plate	1	1	
	78T8-001	Oil pump flitting plate			1
7	22T8-007	Oil adjusting plate	1	1	1
8	22T8-008A	Oil pump screen complete	1	1	1
9	22T8-009	Screw	3	3	3
10	22T8-010B	Oil pipe for hook shaft	1	1	1
11	124T8-001A	Oil braid fitting plate	1	1	1
12	22T7-015	Screw	2	2	2
13	22T8-013D	Oil pipe for arm shaft	1	1	
	78T8 -002A	Oil pipe for arm shaft			1
14	22T8-014	Oil returning pipe	1	1	1
15	22T8-015	Felt pouch for return oil filter	1	1	1
16	36T10-002	Spring for oil felt	1	1	1



## 9. OIL RESERVOIR AND OTHER ACCESSORIES

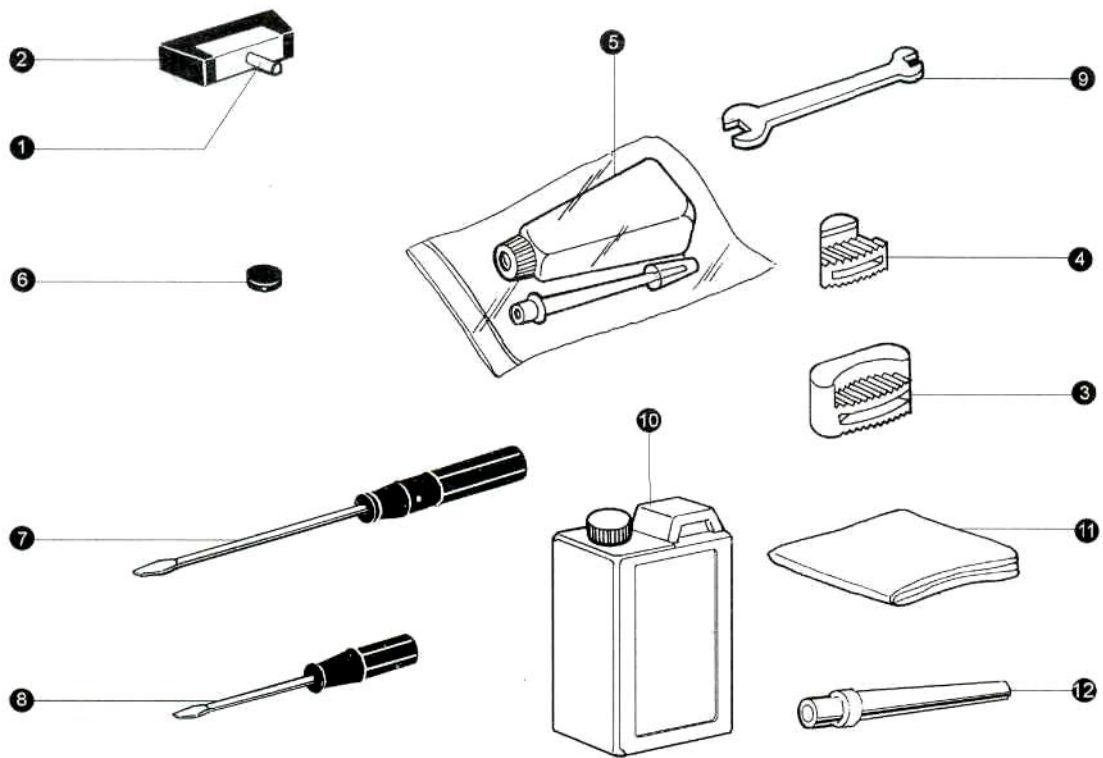
No.	Ref. No.	Description	Qt.		
			M	H	B
1	36T11 -001A1	Oil reservoir	1	1	1
2	22T9-001A2	Oil drain screw	1	1	1
3	22T9-001A3	Washer	1	1	1
4	22T9-001A4	Gasket for oil reservoir(S)	1	1	1
5	22T9-001A5	Gasket for oil reservoir(B)	1	1	1
6	22T9-001A6	Hinge pin for knee lifter lever	1	1	1
7	22T9-001A7	Back spring for knee lifter	1	1	1
8	22T9-001A8	Knee lifter stop bracket	1	1	1
9	22T9-001A9	Adjusting screw	2	2	2
10	22T9-001A10	Lock nut	2	2	2
11	22T9-003B1	Knee lifter lifting rod	1	1	1
12	22T9-003B2	Knee lifter bell crank	1	1	1
13	22T9-003B3	Knee lifter bell crank joint	1	1	1
14	GB5781 -86	Set screw	2	2	2
15	22T9-003B5	Knee lifter plate	1	1	1
16	22T9-003B6	Bracket for knee lifter plate	1	1	1
17	22T9-003B7	Set screw	1	1	1
18	22T9 -003B8	Pat for knee lifter plate	1	1	1
19	GB896-86	C -type stop ring	1	1	1
20	22T9-036	Screw	1	1	1
21	124T9-003B	Belt cover	1	1	1
22	124T9-004C	Belt cover(S)	1	1	1





#### 10. BOBBIN WINDER, SPOOL STAND MECHANISM

No.	Ref. No.	Description	Qt.		
			M	H	B
1	6F0-001A	Bobbin winder base	1	1	1
2	6F0-001A6a	Bobbin winder stop latclever set	1	1	1
3	6F0-002	Bobbin winder pulley	1	1	1
4	01/B112	Screw	1	1	1
5	6F0-003	Bobbin winder spindle	1	1	1
6	6F0-004-1	Bobbin winder stop latch	1	1	
	6F0-004-2	Bobbin winder stop latch			1
7	6F0-005	Adjusting screw	1	1	1
8	6F0-006	Stopper block	1	1	1
9	6F0-007	Stopper block clamp	1	1	1
10	6F0-008	Set screw	1	1	1
11	6F0-009B1b1	Bobbin winder tension bracket	1	1	1
12	17T7 -017	Bobbin winder tension stud	1	1	1
13	22T1 -012F5	Bobbin winder tension discs	2	2	2
14	22T1 -012F3	Bobbin winder tension spring	1	1	1
15	J2.2.7	Tension stud nut	1	1	1
16	BQ10021	Washer	1	1	1
17	22T2 -004	Tension bracket screw	1	1	1
18	BQ10021	Washer	2	2	2
19	GB99-86	Wood screw	2	2	2
20	GXJ -2	Spool stand	1	1	1



## 11. ACCESSORIES

No.	Ref. No.	Description	Qt.		
			M	H	B
1	22T9-007F1	Hinge of machine head	2	2	2
2	22T9-007F2	Hinge socket of machine head	2	2	2
3	22T9-009	Rubber cap(B)	2	2	2
4	22T9-010	Rubber cap(S)	2	2	2
5	22T9-011	Oil pot	1	1	1
6	22T9-012	Magnet	1	1	1
7	22T9-013	Screw driver(B)	1	1	1
8	22T9-015	Screw driver(S)	1	1	1
9	22T9-016	Double end wrench	1	1	1
10	22T9-017	Oil can	1	1	1
11	22T9-018	Vinyl cover	1	1	1
12	124T9 -002	Heed prop pole	1	1	1